

Technical data sheet



Product features

Cooking range gas 4x burner on open cabinet

Model	SAP Code	00110101
--------------	-----------------	----------



- Device type: Gas unit
- Power consumption of the zone 1 [kW]: 1x burner 4.5 kW
- Power consumption of the zone 2 [kW]: 3 burner 7.5 kW
- Power consumption of the zone 3 [kW]: 7,5
- Power consumption of the zone 4 [kW]: 4,5
- Ignition: Eternal flame
- Protection of controls: IPX4
- Material: AISI 304 top plate, AISI 430 cladding

SAP Code	00110101	Type of gas	Natural gas, propane butane
Net Width [mm]	800	Number of zones	4
Net Depth [mm]	700	Power consumption of the zone 1 [kW]	1x burner 4.5 kW
Net Height [mm]	900	Power consumption of the zone 2 [kW]	3 burner 7.5 kW
Net Weight [kg]	65.00	Power consumption of the zone 3 [kW]	7,5
Power gas [kW]	27.000	Power consumption of the zone 4 [kW]	4,5

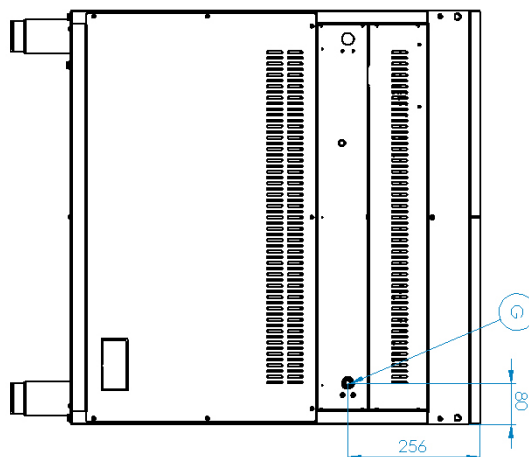
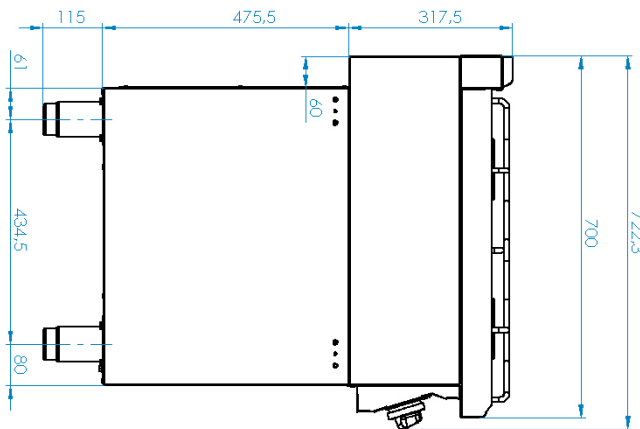
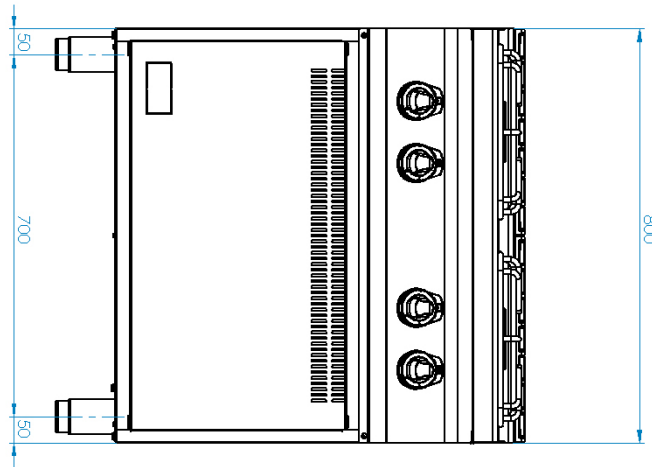
Technical data sheet



Technical drawing

Cooking range gas 4x burner on open cabinet

Model	SAP Code	00110101
-------	----------	----------



Cooking range gas 4x burner on open cabinet

Model	SAP Code	00110101
--------------	-----------------	----------

1

Massive construction of burners

- high performance and efficiency
- brass burners removable
- eternal flame
- long life
- demountable
 - energy saving (perfect combustion)
 - time saving for food preparation
 - easy maintenance/cleaning

2

Hygienic moldings of the top plate

- absence of sharp corners and edges (potential places where dirt could stick)
- smooth transitions
 - easy quick cleaning

3

Degree of protection of the control elements IPX4

- maintenance-free system
- resistance to splash water
- long life
 - savings on service interventions
 - easy cleaning and maintenance of equipment

4

All-stainless design

- long life
- resistance of a ground steel plate with a thickness of 10 mm
 - savings on service interventions
 - higher corrosion resistance

5

Safety element – thermocouple

- safe operation for personnel
- there is no overheating and damage to the thallus
- long life
 - savings on service interventions
 - easier and faster operation

6

Variability

- the possibility of adding to the current line
- easy possibility of creating one module
- long life
 - cost saving
 - space saving
 - long service life

Technical data sheet



Technical parameters

Cooking range gas 4x burner on open cabinet

Model

SAP Code

00110101

1. SAP Code:

00110101

2. Net Width [mm]:

800

3. Net Depth [mm]:

700

4. Net Height [mm]:

900

5. Net Weight [kg]:

65.00

6. Gross Width [mm]:

840

7. Gross depth [mm]:

800

8. Gross Height [mm]:

975

9. Gross Weight [kg]:

78.00

10. Device type:

Gas unit

11. Construction type of device:

With substructure

12. Power gas [kW]:

27.000

13. Ignition:

Eternal flame

14. Type of gas:

Natural gas, propane butane

15. Protection of controls:

IPX4

16. Material:

AISI 304 top plate, AISI 430 cladding

17. Worktop type:

Molded - comfortable cleaning maintenance

18. Worktop material:

AISI 304

19. Worktop Thickness [mm]:

1.20

20. Number of zones:

4

21. Power consumption of the zone 1 [kW]:

1x burner 4.5 kW

22. Power consumption of the zone 2 [kW]:

3 burner 7.5 kW

23. Power consumption of the zone 3 [kW]:

7,5

24. Power consumption of the zone 4 [kW]:

4,5

25. Grid material:

Cast iron

26. Service accessibility:

Trough the frontal panel

27. Safety thermocouple:

Yes

28. Adjustable feet:

Yes

Technical data sheet



Technical parameters

Cooking range gas 4x burner on open cabinet

Model	SAP Code	00110101
--------------	-----------------	----------

29. Number of burners/hot plates:

4

31. Burner type:

Cast iron, detachable, with internal and external combustion

30. Type of gas cooking zones:

Brass burners

32. Connection to a ball valve:

1/2